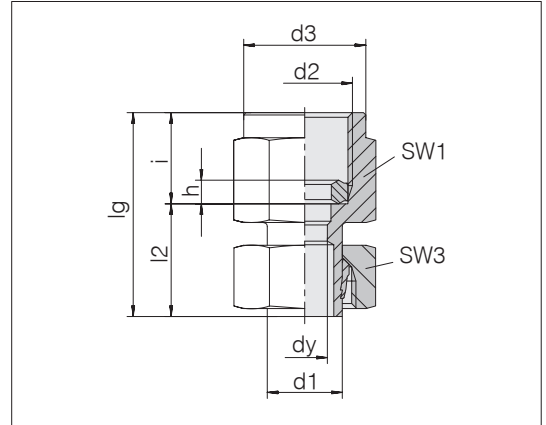


## Gauge connectors

Female thread: BSPP thread, cylindrical  
Sealing type: Seal-edge ring (Form B)

Tube socket pre-assembled  
fits into bore form W DIN 3861/ISO 8434-1



Series	d2	Pressure	d3	d <sub>y</sub>	lg	l <sub>2</sub>	SW1	SW3	h	i	kg/100 ca.	Order-No.	Designation
Tube OD													
d1													
L 6	G 1/4	PN 315	18.8	2.5	38	23.5	19	14	4.6	14.5	4.8	0142042007	24-SWPGS-L6-IG1/4B
L 8	G 1/4	PN 315	18.8	2.5	38	23.5	19	17	4.6	14.5	5.5	0142092007	24-SWPGS-L8-IG1/4B
L 10	G 1/4	PN 315	18.8	2.5	39.5	25	19	19	4.6	14.5	6.2	0142132007	24-SWPGS-L10-IG1/4B
L 12	G 1/4	PN 315	18.8	2.5	40.5	26	19	22	4.6	14.5	7.4	0142182007	24-SWPGS-L12-IG1/4B
S 6	G 1/2	PN 630	26.8	2.5	45	25	27	17	5.2	20	9.9	0142542007	24-SWPGS-S6-IG1/2B
S 8	G 1/2	PN 630	26.8	3.5	45	25	27	19	5.2	20	10.4	0142592007	24-SWPGS-S8-IG1/2B
S 10	G 1/2	PN 630	26.8	3.5	47	27	27	22	5.2	20	12.0	0142612007	24-SWPGS-S10-IG1/2B
S 12	G 1/2	PN 630	26.8	3.5	47.5	27.5	27	24	5.2	20	12.9	0142692007	24-SWPGS-S12-IG1/2B

Example for comp. :  
MAVEV06LR