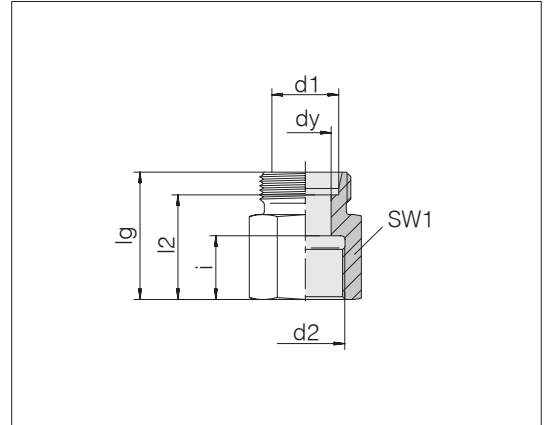


# Female connectors

Female thread: metric fine thread, parallel

Tube coupling: 24° in acc. with ISO 8434-1



Series	d2	Pressure	dy	lg	l2	SW1	i	kg/100 ca.	Order-No.	Designation
Tube OD										
d1										
L 6	M 10 x 1	PN 315	4	26.5	19.5	14	12.5	1.8	0743002000	24-S-L6-IM10
L 8	M 10 x 1	PN 315	6	26.5	19.5	14	12.5	1.8	0743062000	24-S-L8-IM10
L 8	M 12 x 1.5	PN 315	6	31	24	17	17	3.1	0743052000	24-S-L8-IM12
L 10	M 14 x 1.5	PN 315	8	32	25	19	17	3.7	0743102000	24-S-L10-IM14
L 12	M 16 x 1.5	PN 315	10	33	26	22	17	5.1	0743152000	24-S-L12-IM16
L 15	M 18 x 1.5	PN 315	12	35	28	24	17	6.5	0743202000	24-S-L15-IM18
L 18	M 22 x 1.5	PN 315	15	37	29.5	30	19	10.9	0743252000	24-S-L18-IM22
L 22	M 26 x 1.5	PN 160	19	42	34.5	32	21	12.1	0743302000	24-S-L22-IM26
L 28	M 33 x 2	PN 160	24	45	37.5	41	24	20.8	0743352000	24-S-L28-IM33
L 35	M 42 x 2	PN 160	30	51	40.5	55	26	45.2	0743402000	24-S-L35-IM42
L 42	M 48 x 2	PN 160	36	53	42	60	28	51.5	0743452000	24-S-L42-IM48
S 6	M 10 x 1	PB 630	4	32.5	25.5	19	16.5	4.8	0743512000	24-S-S6-IM10
S 6	M 12 x 1.5	PB 630	4	33	26	17	17	3.0	0743502000	24-S-S6-IM12
S 8	M 14 x 1.5	PB 630	5	33	26	19	17	4.2	0743552000	24-S-S8-IM14
S 10	M 16 x 1.5	PB 630	7	34	26.5	22	17	5.8	0743602000	24-S-S10-IM16
S 12	M 18 x 1.5	PB 630	8	35	27.5	24	17	6.9	0743652000	24-S-S12-IM18
S 14	M 20 x 1.5	PB 630	10	39	31	27	19	9.6	0743702000	24-S-S14-IM20
S 16	M 22 x 1.5	PB 400	12	39	30.5	30	19	11.5	0743752000	24-S-S16-IM22
S 20	M 27 x 2	PB 400	16	45	34.5	36	22	18.6	0743802000	24-S-S20-IM27
S 25	M 33 x 2	PB 400	20	49	37	41	24	24.1	0743852000	24-S-S25-IM33
S 30	M 42 x 2	PB 400	25	55	41.5	55	26	49.3	0743902000	24-S-S30-IM42
S 38	M 48 x 2	PB 315	32	59	43	60	28	60.5	0743952000	24-S-S38-IM48

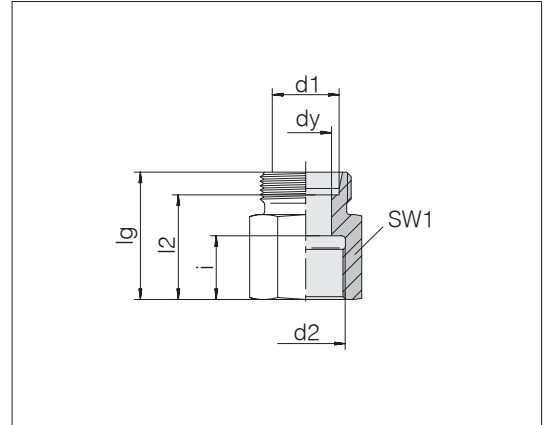
Example for comp. :  
GAI06LMX



## Female connectors

Female thread: BSPP thread, cylindrical  
Threaded hole: ISO 1179-1

Tube coupling: 24° in acc. with ISO 8434-1

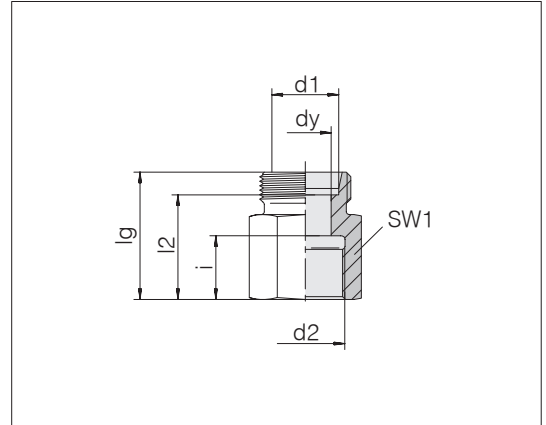


Series	Tube OD	d2	Pressure	dy	lg	l2	SW1	i	kg/100 ca.	Order-No.	Designation
L	6	G 1/8	PN 315	4	26	19	14	12	1.8	0744002000	24-S-L6-IG1/8
L	6	G 1/4	PN 315	4	31	24	19	17	3.7	0744022000	24-S-L6-IG1/4
L	6	G 3/8	PN 315	4	33	26	24	17	6.4	0744032000	24-S-L6-IG3/8
L	8	G 1/4	PN 315	6	31	24	19	17	3.8	0744052000	24-S-L8-IG1/4
L	8	G 3/8	PN 315	6	32	25	24	17	6.2	0744072000	24-S-L8-IG3/8
L	8	G 1/2	PN 315	6	36	29	27	20	7.9	0744082000	24-S-L8-IG1/2
L	10	G 1/4	PN 315	8	32	25	19	17	3.9	0744102000	24-S-L10-IG1/4
L	10	G 3/8	PN 315	8	33	26	24	17	6.2	0744122000	24-S-L10-IG3/8
L	10	G 1/2	PN 315	8	37	30	27	20	8.1	0744132000	24-S-L10-IG1/2
L	12	G 1/4	PN 315	9	32	25	19	17	4.0	0744162000	24-S-L12-IG1/4
L	12	G 3/8	PN 315	10	33	26	24	17	6.2	0744152000	24-S-L12-IG3/8
L	12	G 1/2	PN 315	10	38	31	27	20	8.4	0744172000	24-S-L12-IG1/2
L	15	G 3/8	PN 315	12	34	27	24	17	6.8	0744212000	24-S-L15-IG3/8
L	15	G 1/2	PN 315	12	38	31	27	20	8.6	0744202000	24-S-L15-IG1/2
L	18	G 1/2	PN 315	15	38	30.5	27	20	8.9	0744252000	24-S-L18-IG1/2
L	22	G 3/4	PN 160	19	43	35.5	36	22	17.3	0744302000	24-S-L22-IG3/4
L	28	G 1	PN 160	24	45.5	38	41	24.5	20.9	0744352000	24-S-L28-IG1
L	35	G 1	PN 160	30.5	47.5	37	46	18	32.4	0744412000	24-S-L35-IG1
L	35	G 1 1/4	PN 160	30	51.5	41	55	26.5	45.7	0744402000	24-S-L35-IG11/4
L	42	G 1 1/2	PN 160	36	53.5	42.5	60	28.5	52.8	0744452000	24-S-L42-IG11/2

## Female connectors

Female thread: BSPP thread, cylindrical  
Threaded hole: ISO 1179-1

Tube coupling: 24° in acc. with ISO 8434-1



Series	d2	Pressure	dy	lg	l2	SW1	i	kg/100 ca.	Order-No.	Designation
Tube OD										
d1										
S 6	G 1/4	PB 630	4	33	26	19	17	4.2	0744502000	24-S-S6-IG1/4
S 8	G 1/4	PB 630	5	33	26	19	17	4.4	0744552000	24-S-S8-IG1/4
S 10	G 3/8	PB 630	7	34	26.5	24	17	6.9	0744602000	24-S-S10-IG3/8
S 12	G 1/4	PB 630	8	34	26.5	22	17	6.8	0744662000	24-S-S12-IG1/4
S 12	G 3/8	PB 630	8	34	26.5	24	17	7.1	0744652000	24-S-S12-IG3/8
S 12	G 1/2	PB 630	8	38	30.5	27	20	8.8	0744672000	24-S-S12-IG1/2
S 14	G 1/2	PB 630	10	40	32	27	20	9.4	0744702000	24-S-S14-IG1/2
S 16	G 1/2	PB 400	12	40	31.5	27	20	9.3	0744752000	24-S-S16-IG1/2
S 20	G 3/4	PB 400	16	45	34.5	36	22	18.9	0744802000	24-S-S20-IG3/4
S 25	G 1	PB 400	20	49.5	37.5	41	24.5	24.0	0744852000	24-S-S25-IG1
S 30	G 1 1/4	PB 400	25	55.5	42	55	26.5	50.3	0744902000	24-S-S30-IG1 1/4
S 38	G 1 1/2	PB 315	32	59.5	43.5	60	28.5	61.5	0744952000	24-S-S38-IG1 1/2