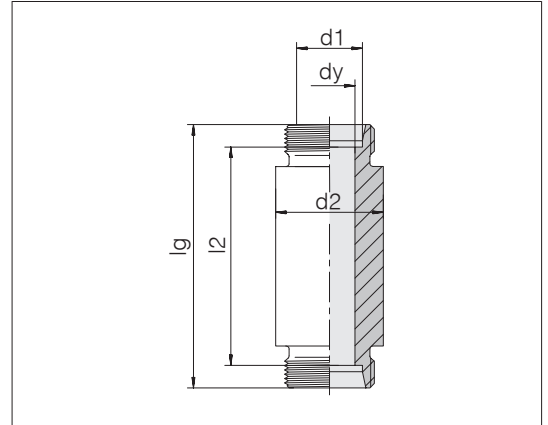


Weld bulkhead connectors

Tube coupling: 24° in acc. with ISO 8434-1



Series	Tube OD	Pressure	d2	dy	lg	l2	kg/100 ca.	Order-No.	Designation
L	6	PN 315	18	4	70	56	10.3	0741000000	24-WDBHS-L6-C00
L	8	PN 315	20	6	70	56	12.1	0741050000	24-WDBHS-L8-C00
L	10	PN 315	22	8	72	58	14.3	0741100000	24-WDBHS-L10-C00
L	12	PN 315	25	10	72	58	17.7	0741150000	24-WDBHS-L12-C00
L	15	PN 315	28	12	84	70	25.9	0741200000	24-WDBHS-L15-C00
L	18	PN 315	32	15	84	69	33.4	0741250000	24-WDBHS-L18-C00
L	22	PN 160	36	19	88	73	40.0	0741300000	24-WDBHS-L22-C00
L	28	PN 160	40	24	88	73	44.5	0741350000	24-WDBHS-L28-C00
L	35	PN 160	50	30	92	71	72.3	0741400000	24-WDBHS-L35-C00
L	42	PN 160	60	36	92	70	100.5	0741450000	24-WDBHS-L42-C00
S	6	PN 630	20	4	74	60	13.5	0741500000	24-WDBHS-S6-C00
S	8	PN 630	22	5	74	60	16.2	0741550000	24-WDBHS-S8-C00
S	10	PN 630	25	7	74	59	20.0	0741600000	24-WDBHS-S10-C00
S	12	PN 630	28	8	74	59	25.0	0741650000	24-WDBHS-S12-C00
S	14	PN 630	30	10	88	72	33.7	0741700000	24-WDBHS-S14-C00
S	16	PN 400	35	12	88	71	44.4	0741750000	24-WDBHS-S16-C00
S	20	PN 400	38	16	92	71	51.5	0741800000	24-WDBHS-S20-C00
S	25	PN 400	45	20	96	72	72.3	0741850000	24-WDBHS-S25-C00
S	30	PN 400	50	25	100	73	87.3	0741900000	24-WDBHS-S30-C00
S	38	PN 315	60	32	104	72	125.1	0741950000	24-WDBHS-S38-C00

Example for comp. :
 ESV06LX
 ISO 8434-1-WDBHS-L6-St