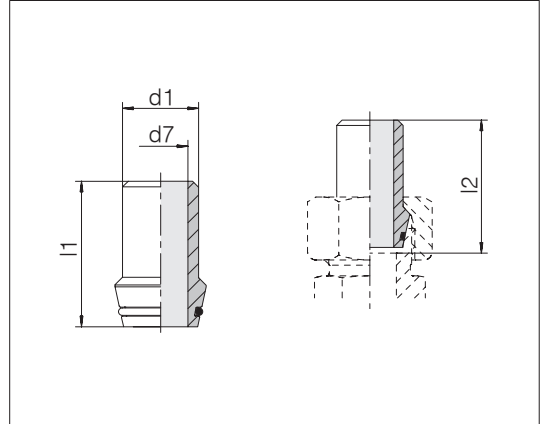


Welding nipples with O-ring seal

With taper and O-ring
fit in bore type
W DIN 3861/ISO 8434-1

Standard material of O-rings is NBR



Series	for tube	Pressure	d7	l1	l2	kg/100 ca.	O-ring dimensions	Order-No.	Designation	
L/S	6	6 x 1.5	PN 500	3	31	31.5	0.7	4 x 1.5	0070519967	24-WDNPSO-6x1,5-C10
L/S	8	8 x 1.5	PN 400	5	31	31.5	1.1	6 x 1.5	0070569967	24-WDNPSO-8x1,5-C10
L/S	8	8 x 2	PN 500	4	31	31.5	1.1	6 x 1.5	0070579967	24-WDNPSO-8x2-C10
L/S	10	10 x 1	PN 250	8	32.5	33.5	1.3	7.5 x 1.5	0070609967	24-WDNPSO-10x1-C10
L/S	10	10 x 1.5	PN 315	7	32.5	33.5	1.5	7.5 x 1.5	0070619967	24-WDNPSO-10x1,5-C10
L/S	10	10 x 2	PN 400	6	32.5	33.5	1.6	7.5 x 1.5	0070629967	24-WDNPSO-10x2-C10
L/S	10	10 x 2.5	PN 500	5	32.5	33.5	1.8	7.5 x 1.5	0070639967	24-WDNPSO-10x2,5-C10
L/S	12	12 x 1.5	PN 315	9	32.5	33.5	1.9	9 x 1.5	0070669967	24-WDNPSO-12x1,5-C10
L/S	12	12 x 2	PN 400	8	32.5	33.5	1.9	9 x 1.5	0070679967	24-WDNPSO-12x2-C10
L/S	12	12 x 2.5	PN 400	7	32.5	33.5	2.2	9 x 1.5	0070689967	24-WDNPSO-12x2,5-C10
L	15	15 x 2	PN 315	11	34.5	34.5	2.4	12 x 2	0069009967	24-WDNPSO-15x2-C10
L	15	15 x 2.5	PN 315	10	34.5	34.5	2.9	12 x 2	0069019967	24-WDNPSO-15x2,5-C10
L	18	18 x 2.5	PN 315	13	36	37	3.9	15 x 2	0069029967	24-WDNPSO-18x2,5-C10
L	22	22 x 2.5	PN 160	17	38.5	39.5	5.2	20 x 2	0069079967	24-WDNPSO-22x2,5-C10
L	28	28 x 2.5	PN 160	23	41.5	42.5	7.3	26 x 2	0069039967	24-WDNPSO-28x2,5-C10
L	28	28 x 3	PN 160	22	41.5	42.5	8.4	26 x 2	0070039967	24-WDNPSO-28x3-C10
L	35	35 x 3.5	PN 160	28	47.5	49.5	14.4	32 x 2.5	0069049967	24-WDNPSO-35x3,5-C10
L	35	35 x 4	PN 160	27	47.5	49.5	16.0	32 x 2.5	0069059967	24-WDNPSO-35x4-C10
L	42	42 x 3	PN 160	36	47.5	50	15.4	38 x 2.5	0070009967	24-WDNPSO-42x3-C10
L	42	42 x 4	PN 160	34	47.5	50	19.5	38 x 2.5	0070049967	24-WDNPSO-42x4-C10

