

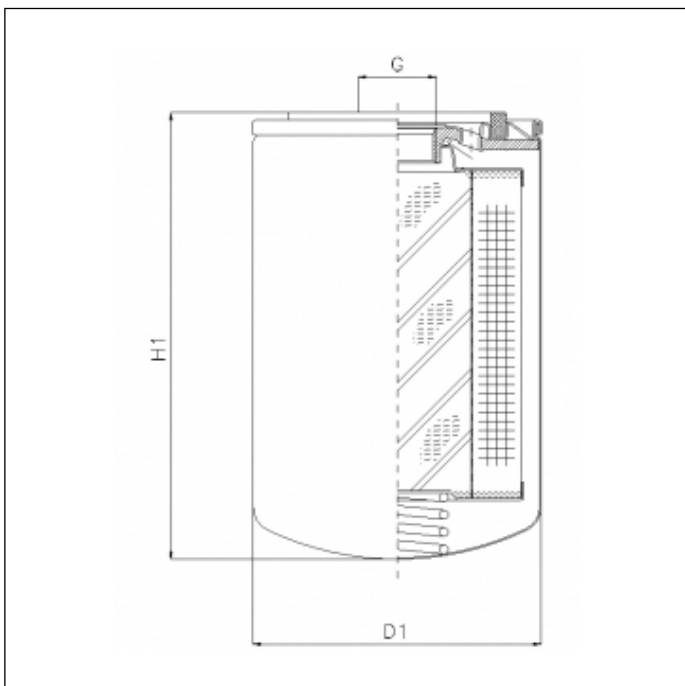
A120GW03

printed on: 13-08-2024



TECHNICAL INFO

Media type	FIBERGLASS + WATER REMOVAL
Efficiency	<math><4 \mu\text{m}_{(c)} \beta_x \geq 200</math>
Efficiency 1	$5 \mu\text{m}_{(c)} \beta_x \geq 1000$
Max working pressure	12 bar
Seals	NBR
Temperature range	5°C +100°C



OVERALL DIMENSIONS

D1	129,0 mm
H1	182,0 mm
G	G 1 1/4

Technical information may change without notice. Image and drawing are representative only