

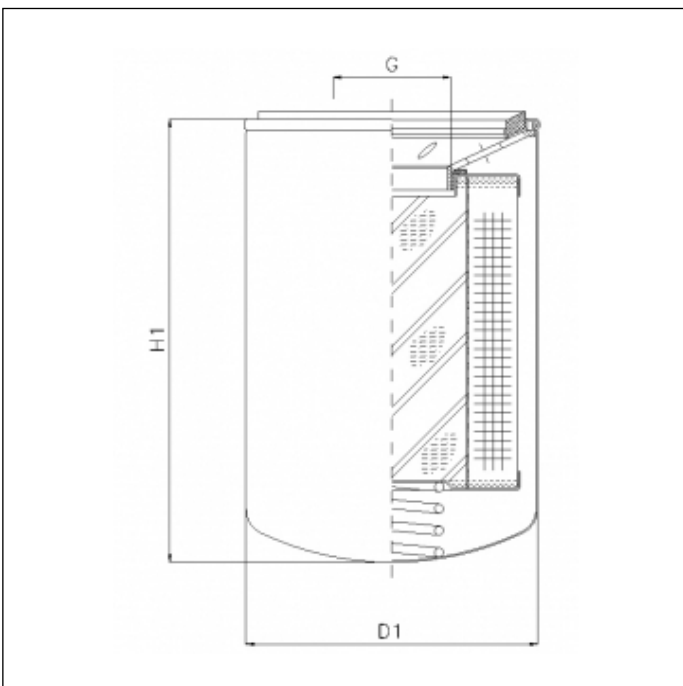

**A142G10**

printed on: 13-08-2024



### TECHNICAL INFO

Media type	INORGANIC FIBERGLASS
Efficiency	10 $\mu\text{m}_{(c)}$ $\beta_x \geq 200$
Efficiency 1	12 $\mu\text{m}_{(c)}$ $\beta_x \geq 1000$
Max working pressure	17 bar
Seals	NBR
Temperature range	-30°C +100°C



### OVERALL DIMENSIONS

D1	96,0 mm
H1	210,0 mm
G	1 1/2"-16 UN

Technical information may change without notice. Image and drawing are representative only